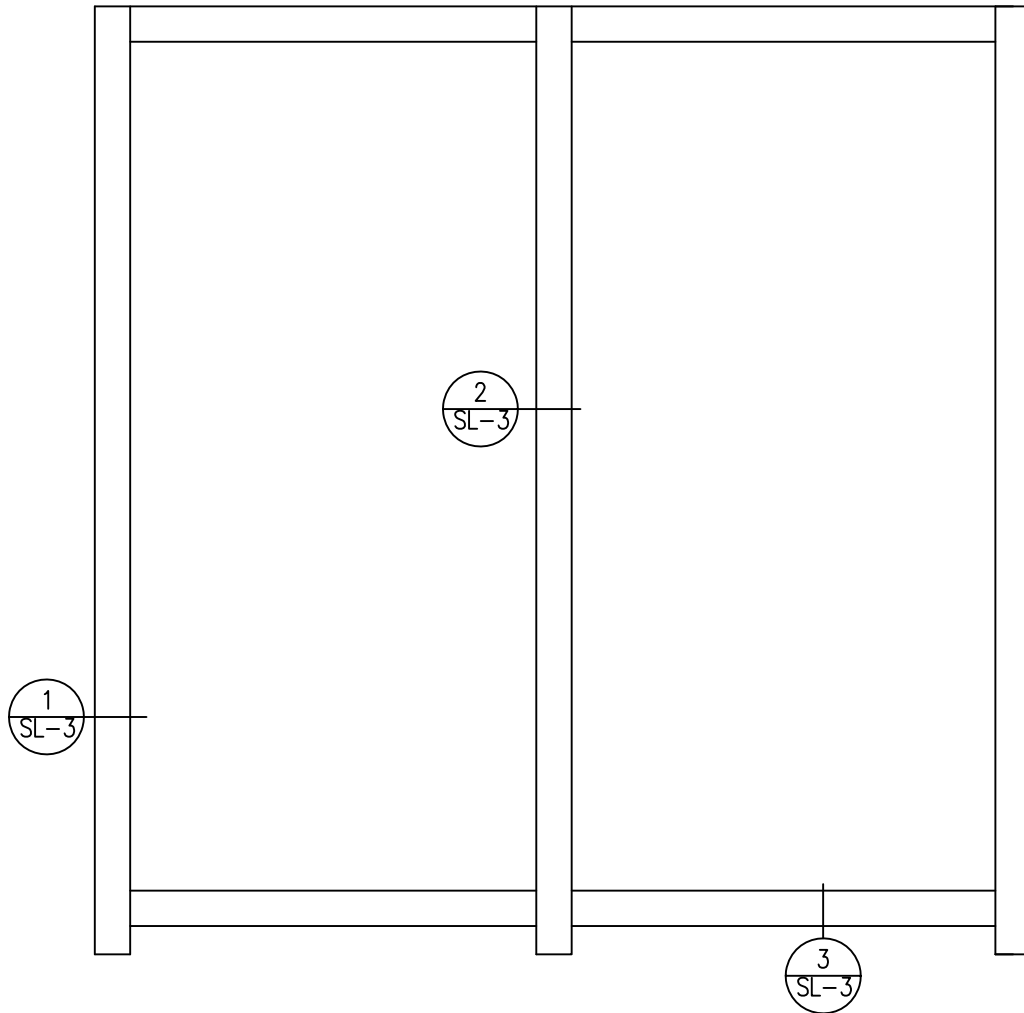


60 MINUTE FIRE-RATED ALUMINUM SKYLIGHT

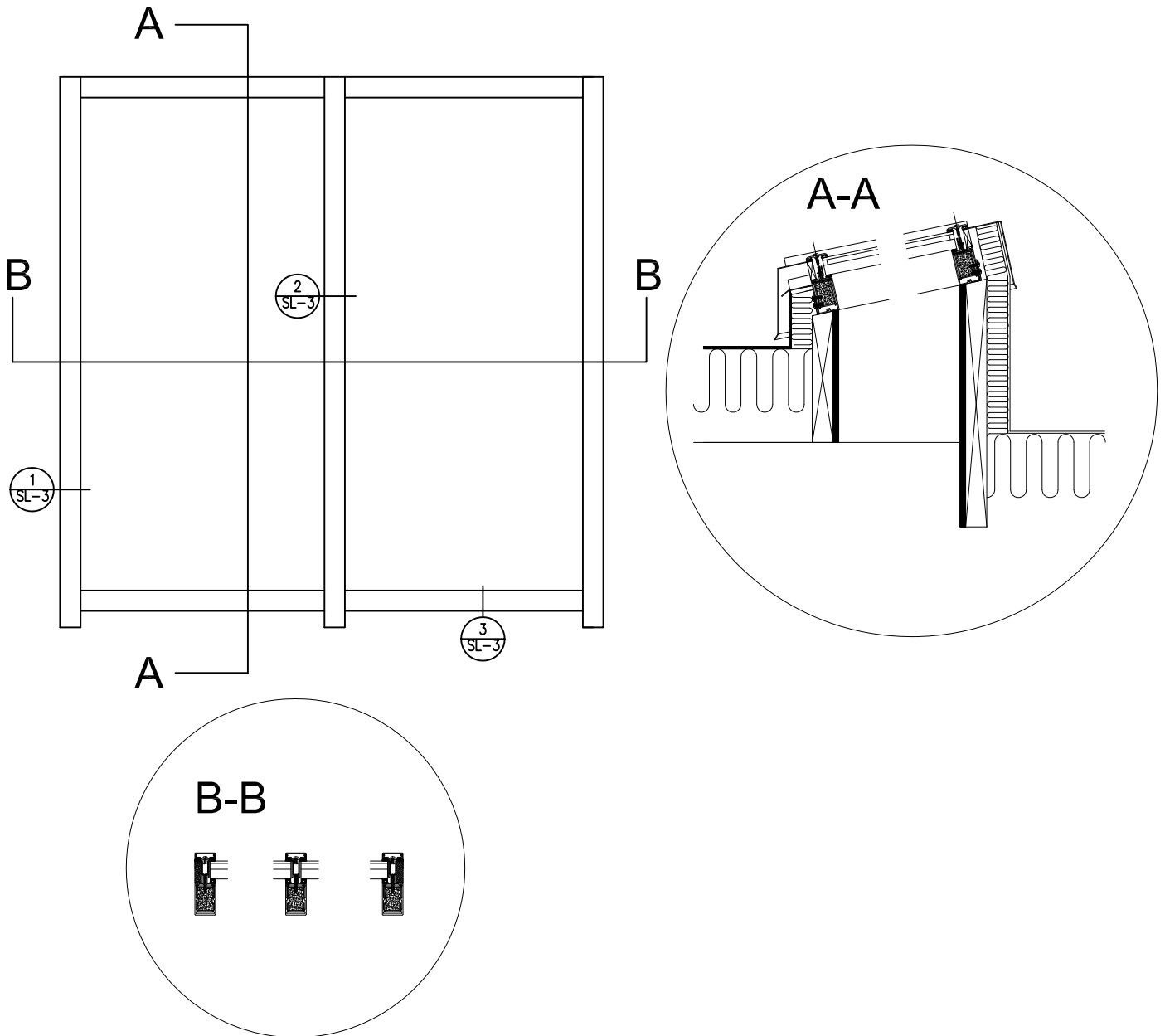
- 1x(h)143mm+ 1x(v)154.5 mm standard framing members
- Available in Anodized, Powdercoated & Architectural Painted finishes
- Interior and exterior installation
- Delivered fully assembled - or segmented for ease of transport/handling
- 60 minute rated per G10523
- Please refer to data sheet for max. sizes / ratings



PROPRIETARY AND CONFIDENTIAL
 THE INFORMATION CONTAINED IN THIS
 DRAWING IS THE SOLE PROPERTY OF
 ALUFLAM. ANY
 REPRODUCTION IN PART OR AS A WHOLE
 WITHOUT THE WRITTEN PERMISSION OF
 ALUFLAM IS PROHIBITED.

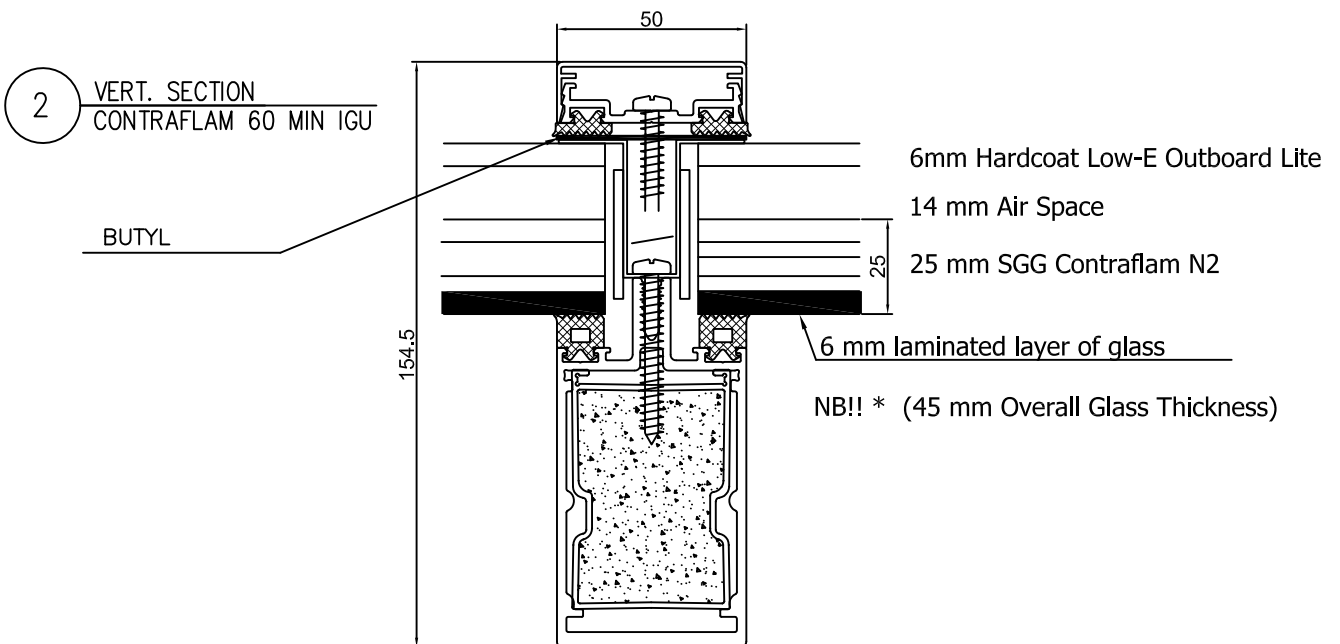
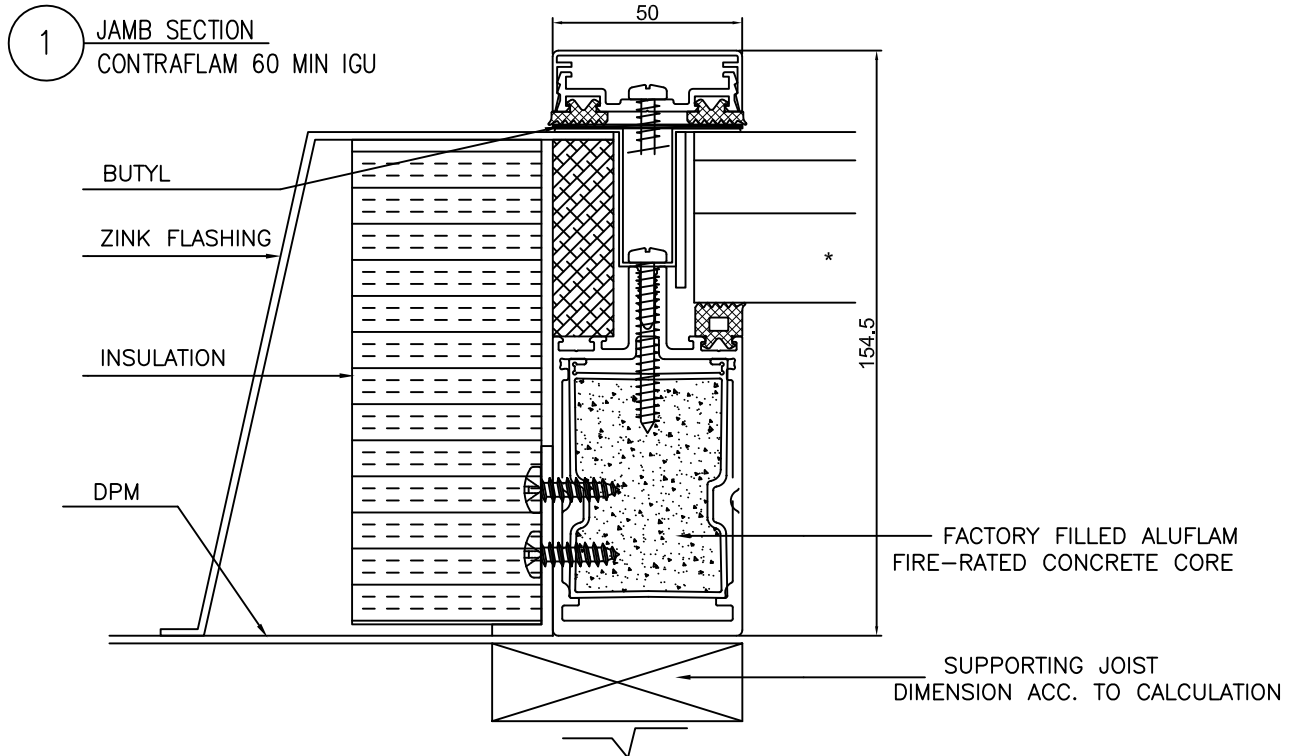
		DIMENSIONS ARE IN MILLIMETERS		NAME		DATE	
		TOLERANCES:		DRAWN		2010.02.07	
		FRACTIONAL ±		CHECKED		2010.02.12	
		ANGULAR: MACH ±		ENG. APPR.			
		TWO PLACE DECIMAL ±		MFG APPR.			
		THREE PLACE DECIMAL ±		D.A.			
		MATERIAL		COMMENTS:			
		FINISH					
NEXT ASSY	USED ON	APPLICATION		60 MINUTE FIRE-RATED SKYLIGHT SIZE DWG. NO. 001 SL-1 WEIGHT: SHEET 1 OF 5			

REAL SIZE ELEVATION



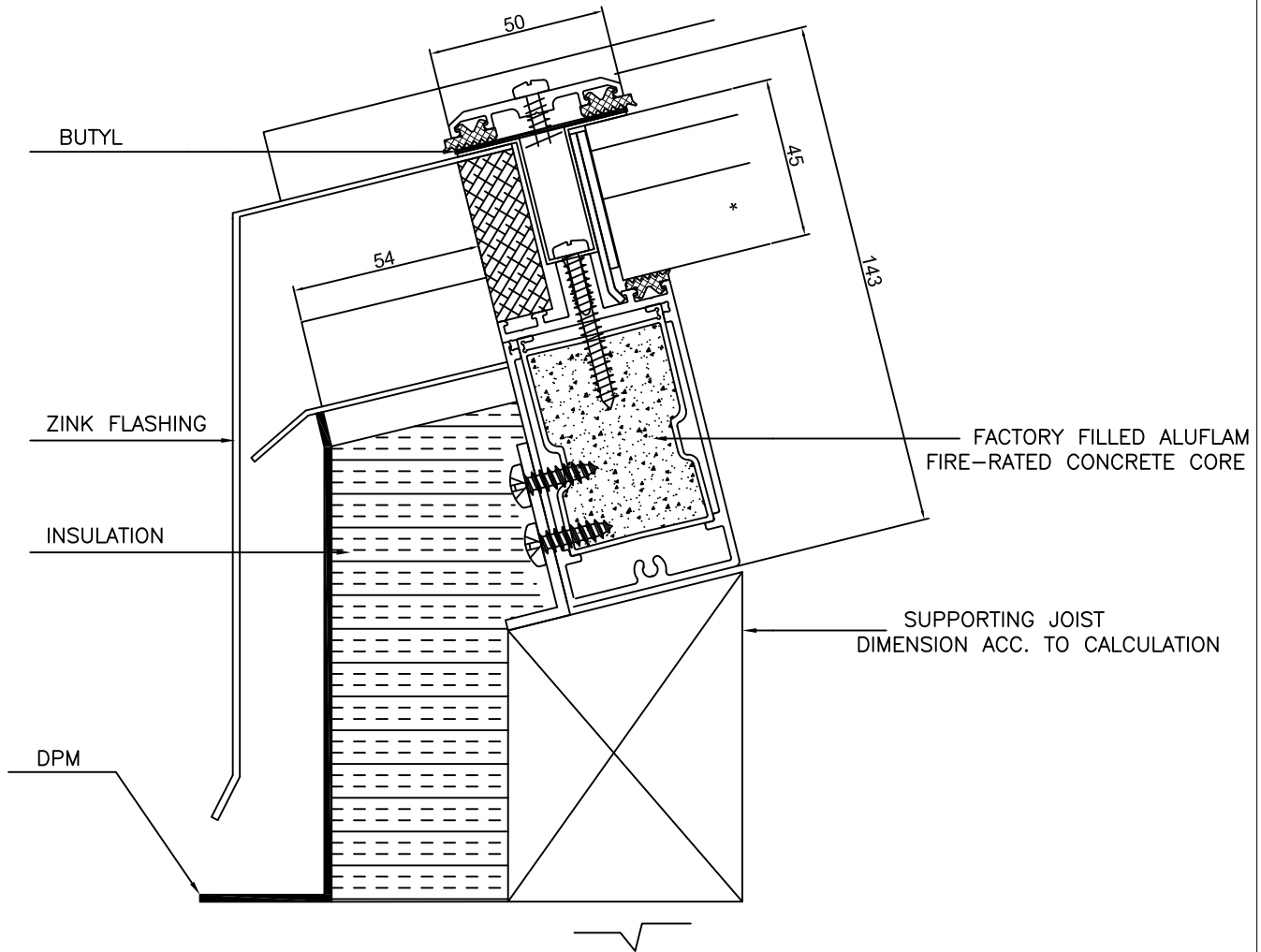
PROPRIETARY AND CONFIDENTIAL
 THE INFORMATION CONTAINED IN THIS
 DRAWING IS THE SOLE PROPERTY OF
 ALUFLAM. ANY
 REPRODUCTION IN PART OR AS A WHOLE
 WITHOUT THE WRITTEN PERMISSION OF
 ALUFLAM IS PROHIBITED.

		DIMENSIONS ARE IN MILLIMETERS		NAME	DATE	60 MINUTE FIRE-RATED SKYLIGHT	
		TOLERANCES:		DRAWN	Michev		2010.02.07
		FRACTIONAL ±		CHECKED	Zheironas		2010.02.12
		ANGULAR: MACH ± BEND ±		ENG. APPR.			
		TWO PLACE DECIMAL ±		MFG APPR.			
		THREE PLACE DECIMAL ±		D.A.			
		MATERIAL		COMMENTS:			
NEXT ASSY	USED ON	FINISH					
APPLICATION							
				SIZE	DWG. NO.	REV.	
				A	002		
				SL-2	WEIGHT:	SHEET 2 OF 5	



PROPRIETARY AND CONFIDENTIAL
THE INFORMATION CONTAINED IN THIS
DRAWING IS THE SOLE PROPERTY OF
ALUFLAM. ANY
REPRODUCTION IN PART OR AS A WHOLE
WITHOUT THE WRITTEN PERMISSION OF
ALUFLAM IS PROHIBITED.

		DIMENSIONS ARE IN MILLIMETERS		NAME	DATE	60 MINUTE FIRE-RATED SKYLIGHT
		TOLERANCES:		DRAWN	2010.02.07	
		FRACTIONAL ±		CHECKED	2010.02.12	
		ANGULAR: MACH ±		ENG. APPR.		
		TWO PLACE DECIMAL ±		MFG APPR.		
		THREE PLACE DECIMAL ±		D.A.		
		MATERIAL		COMMENTS:		
NEXT ASSY	USED ON	FINISH				
APPLICATION						
SIZE	DWG. NO.			REV.		
A	003					
SL-3	WEIGHT:			SHEET 3 OF 5		



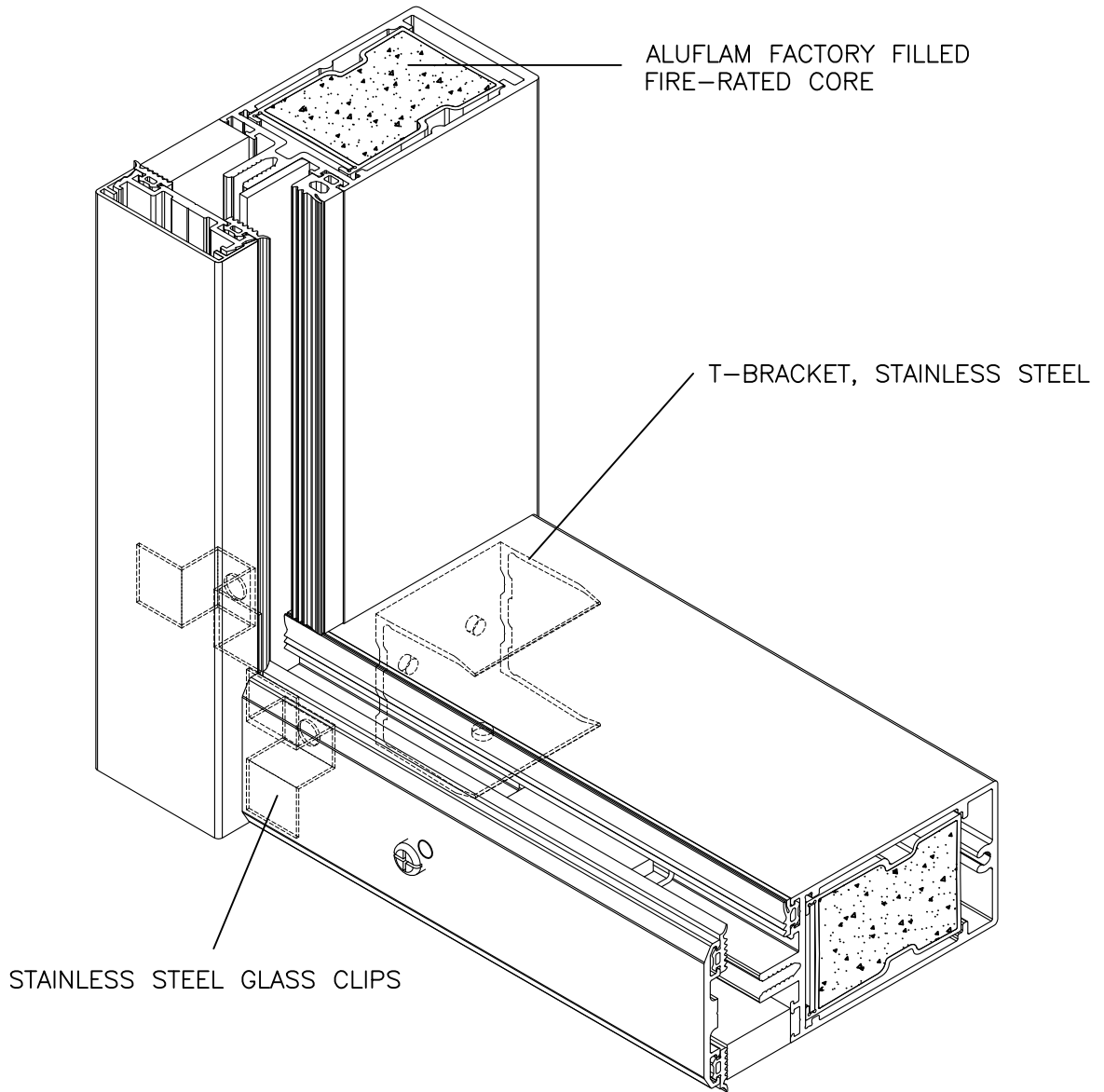
3 HEAD SECTION
CONTRAFLAM 60 MIN IGU

ALUFLAM

PROPRIETARY AND CONFIDENTIAL
THE INFORMATION CONTAINED IN THIS
DRAWING IS THE SOLE PROPERTY OF
ALUFLAM. ANY
REPRODUCTION IN PART OR AS A WHOLE
WITHOUT THE WRITTEN PERMISSION OF
ALUFLAM IS PROHIBITED.

		DIMENSIONS ARE IN MILLIMETERS	NAME	DATE	60 MINUTE FIRE-RATED SKYLIGHT
		TOLERANCES:	DRAWN	2010.02.07	
		FRACTIONAL ±	CHECKED	2010.02.12	
		ANGULAR: MACH ±	ENG. APPR.		
		TWO PLACE DECIMAL ±	MFG APPR.		
		THREE PLACE DECIMAL ±	D.A.		
		MATERIAL	COMMENTS:		
NEXT ASSY	USED ON	FINISH			SIZE DWG. NO. 004
APPLICATION					REV.
			SL-4	WEIGHT:	SHEET 4 OF 5

60 MINUTE FIRE-RATED ALUMINUM SKYLIGHT



PROPRIETARY AND CONFIDENTIAL
 THE INFORMATION CONTAINED IN THIS
 DRAWING IS THE SOLE PROPERTY OF
 ALUFLAM. ANY
 REPRODUCTION IN PART OR AS A WHOLE
 WITHOUT THE WRITTEN PERMISSION OF
 ALUFLAM IS PROHIBITED.

		DIMENSIONS ARE IN MILLIMETERS		NAME	DATE	60 MINUTE FIRE-RATED SKYLIGHT
		TOLERANCES:		DRAWN	Michev 2010.02.07	
		FRACTIONAL ±		CHECKED	Zheironas 2010.02.12	
		ANGULAR: MACH ±		ENG. APPR.		
		TWO PLACE DECIMAL ±		MFG APPR.		
		THREE PLACE DECIMAL ±		D.A.		
		MATERIAL		COMMENTS:		
NEXT ASSY	USED ON	FINISH				SIZE DWG. NO. 005
APPLICATION						REV.
						SL-5 WEIGHT: SHEET 5 OF 5